

PRTL-A Type

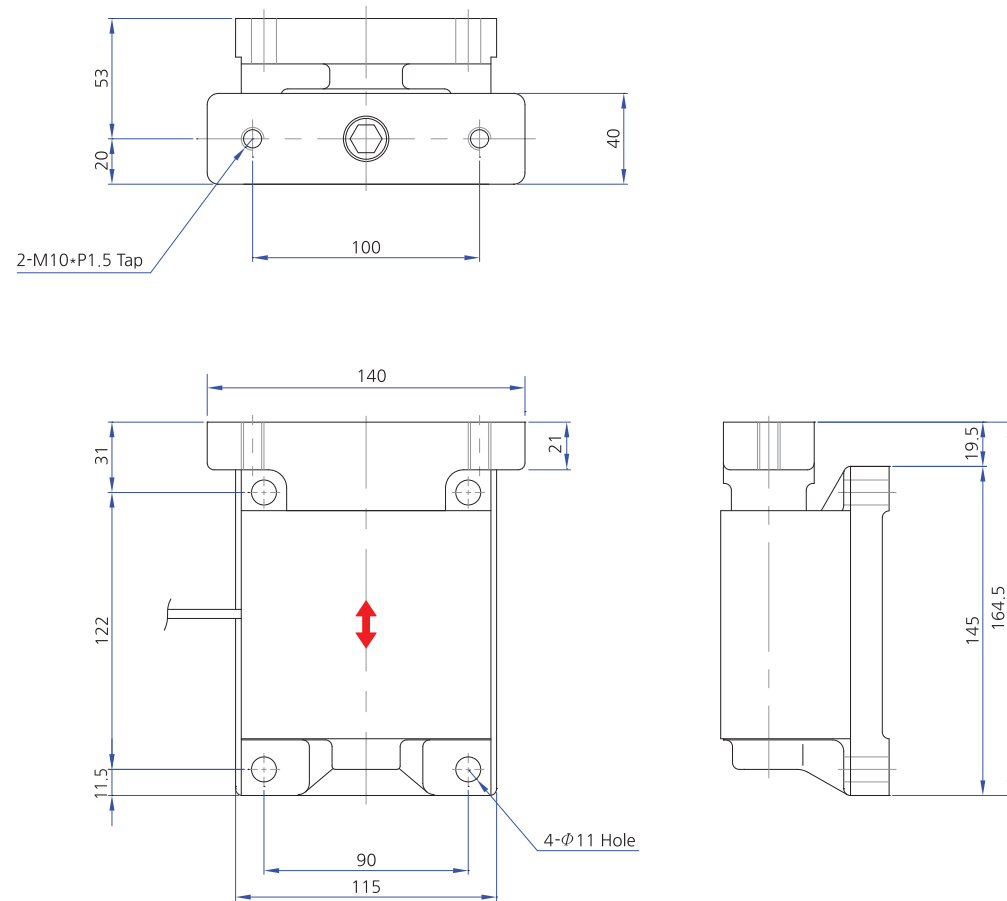
A Type Tension Detector

Tension detection direction: Up ↓ Down detection



※ The content of this leaflet may be changed without prior notice, for which we request your kind understanding.

DIMENSION



SPECIFICATIONS

Product Name	PRTL-50A	PRTL-100A	PRTL-200A
Rated load	50kg	100kg	200kg
Output	About 3mV/V, ±0.5%		
Weight	2.35kg		